

Ventilation connection and distribution channel

Characteristics



easy installation



antistatic PE-HD



low noise level



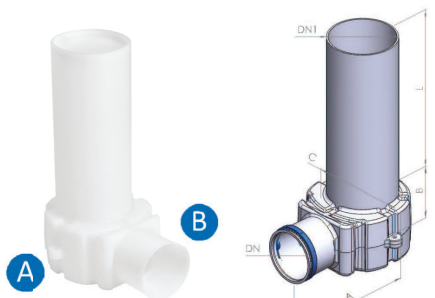
integrated fixation unit



safety lock on request

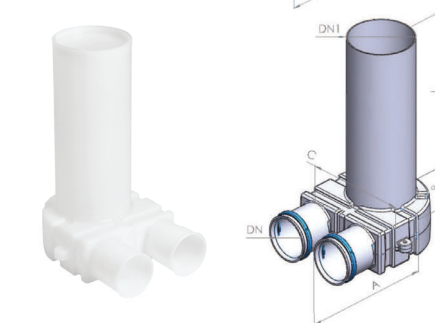


better airflow



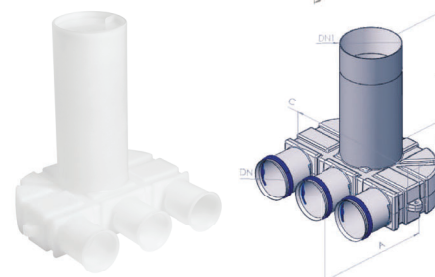
Ventilation connection (single)

Dim.	ND	ND1	A	B	C	L
125 / 1 x 75	75	125	275	85	180	200
125 / 1 x 75	75	125	275	85	180	300
125 / 1 x 90	90	125	270	102	180	300



Ventilation connection (double)

Dim.	ND	ND1	A	B	C	L
125 / 2 x 63	63	125	272	78	194	200
125 / 2 x 63	63	125	272	78	194	300
125 / 2 x 75	75	125	278	84	208	200
125 / 2 x 75	75	125	278	84	208	300
125 / 2 x 90	90	125	273	102	227	300



Ventilation connection (three-way)

Dim.	ND	ND1	A	B	C	L
125 / 3 x 63	63	125	278	78	317	200
125 / 3 x 63	63	125	278	78	317	300
125 / 3 x 75	75	125	278	84	325	200



Ventilation connection axial

Dim.	ND	ND1	A	B	C	L
125 / 2 x 75	63	125	278	78	317	200